

30KW Solar / Hybrid Power Unit

Model: UST-4800P

Specifications

Model	UST-4800P
Material	Steel Q235
Powder	Outdoor Type + Anti Corrosion
Dimensions (Transportation)	177.17 × 90.47 × 84.88 in
Dimensions (Traveling)	234.13 × 90.47 × 84.88 in
Dimensions (Operation)	344.72 × 231.89 × 141.54 in
Weight	7054 lbs.
System Voltage	DC48V
Work Temperature	-4°F ~ 140°F

Solar Panel

Solar Panel	16 x 470W
Open Circuit Voltage	DC49.96V
Max Module Efficiency	21.62%
Power Degradation	<1.5%, first year; 0.4%, 2-25 years
Series & Parallel	4 in Series x 4 in Parallel
Angle Adjustment	0°-26°, Manual

LFP Battery

Battery	4 x 314Ah
Voltage	DC51.2V
Capacity	64.3kWh
BMS	Yes
Heater	Yes
Life	Cycle 4000 at 95% DOD, 25°C

Inverter System

Hybrid Inverter	2 x 15kVA
MPPT Current	40A
MPPT Efficiency	95%
Inverter Efficiency	97.5%
Remote	Yes
3Ph AC400V Input Plug	2 x 63A
3Ph AC400V Output Socket	1 x 63A + 1 x 32A
1Ph AC230V Output Socket	3 x 16A
Busbar	Input & Output



Trailer

Trailer Standard	US / AU / EU
Trailer Light	US / AU / EU
Tow Hitch	70mm / 3" Ring Type
Jockey Wheel	200mm / 8"
Axle	Triple, Suspension, Electric Brake
Tire	15 inch
Outrigger	4 x Manual, Galvanized
Bubble level	4 pcs
Wheel Chock	2 pcs
Forklift Pocket	Yes
Lifting Ring	4 pcs

Ventilation System

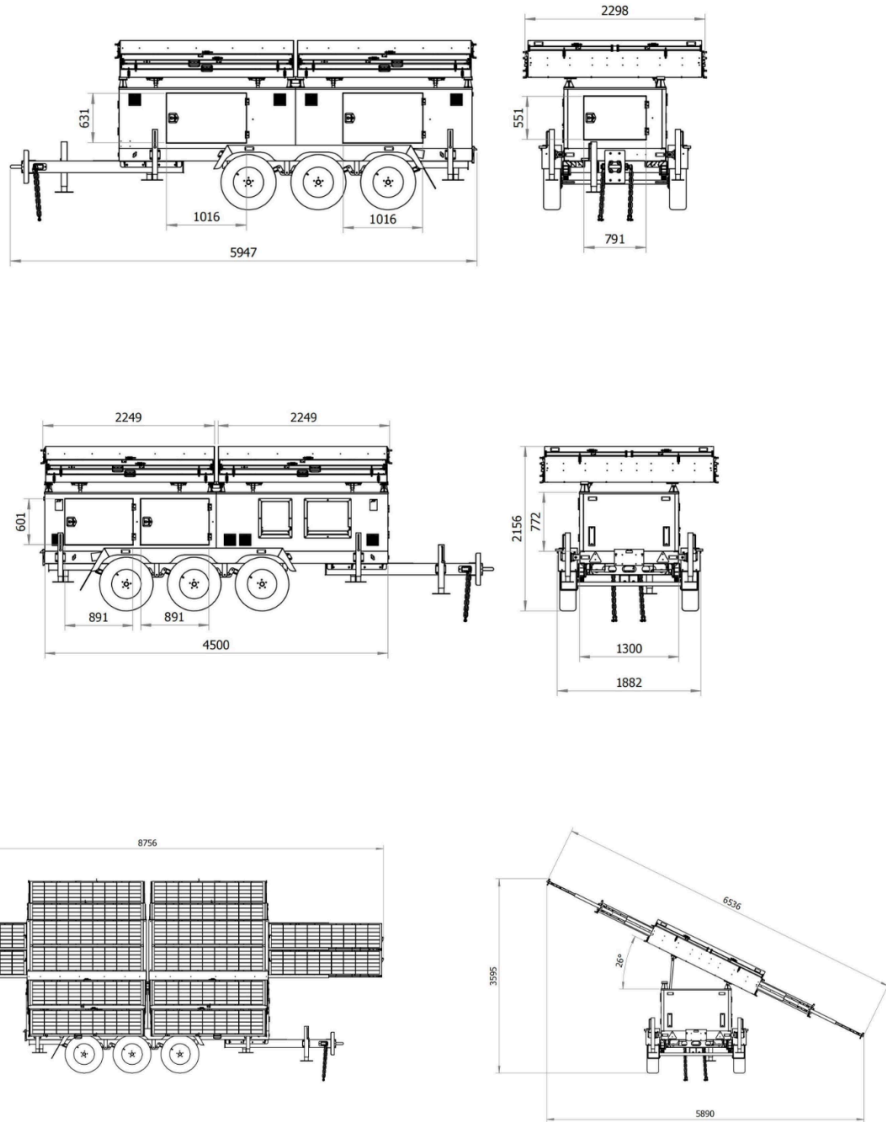
Air Conditioner	1500W
Cooling	Yes
Heating	Yes



30KW Solar / Hybrid Power Unit

Model: UST-4800P

Dimensions



Controls

